

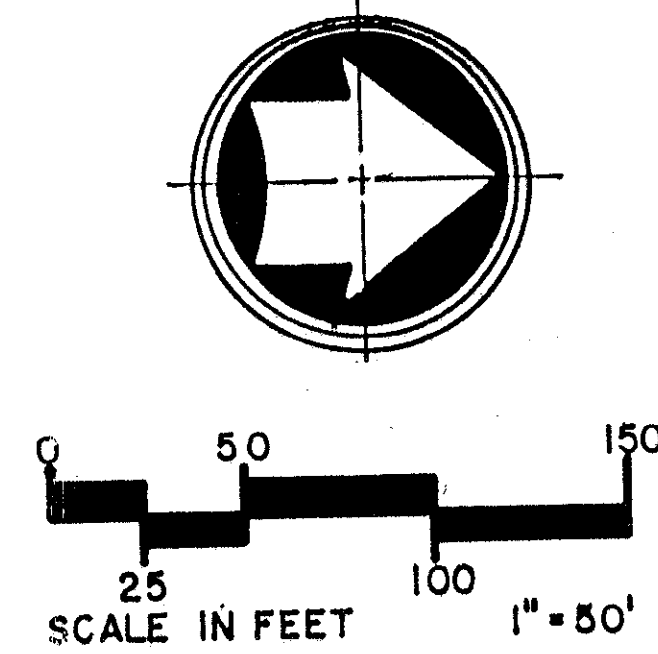
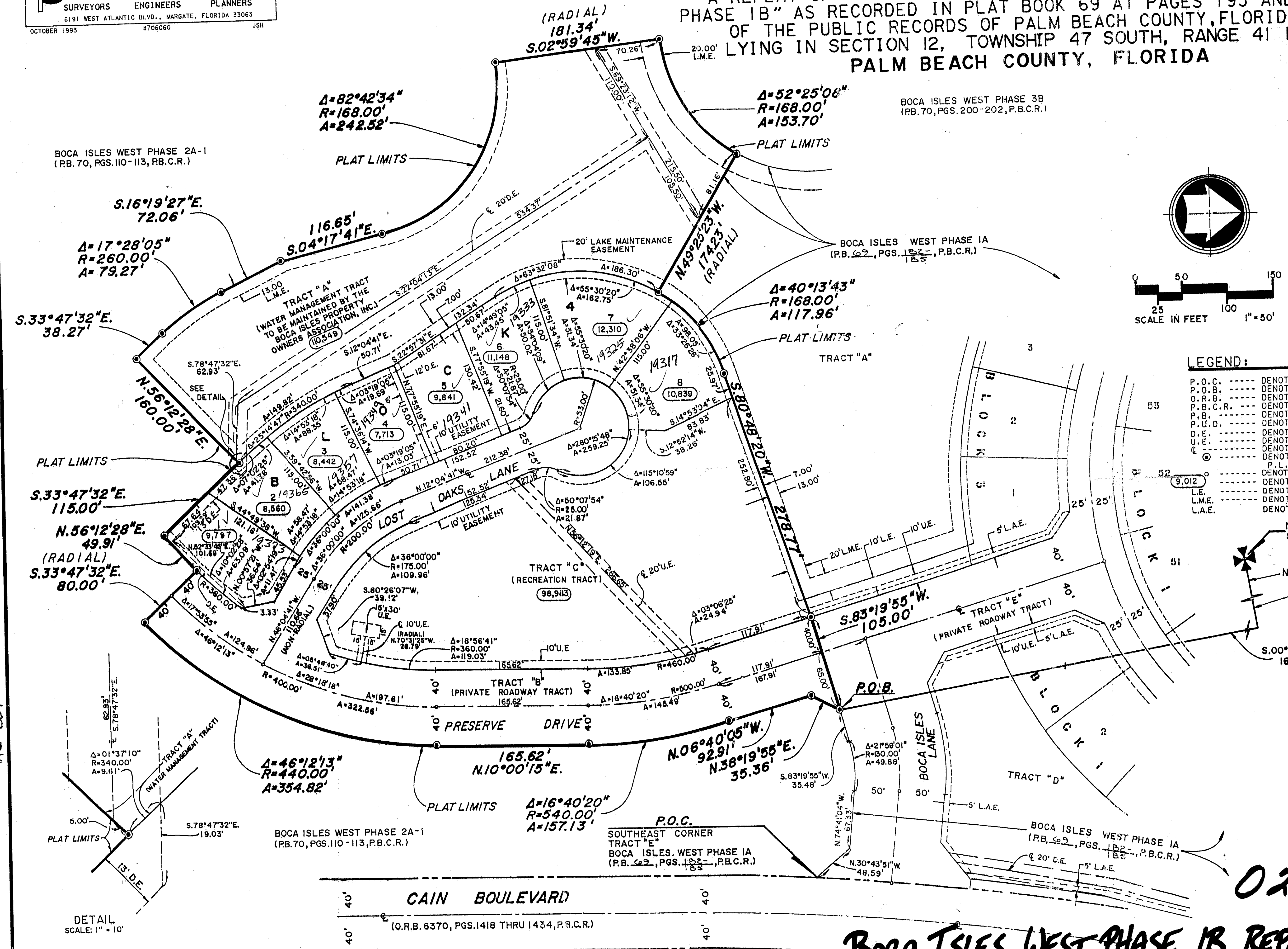
# BOCA ISLES WEST PHASE 1B REPLAT

A REPLAT OF ALL OF THE PLAT ENTITLED "BOCA ISLES WEST PHASE 1B" AS RECORDED IN PLAT BOOK 69 AT PAGES 193 AND 194 OF THE PUBLIC RECORDS OF PALM BEACH COUNTY, FLORIDA. LYING IN SECTION 12, TOWNSHIP 47 SOUTH, RANGE 41 EAST. PALM BEACH COUNTY, FLORIDA

STATE OF FLORIDA  
COUNTY OF PALM BEACH  
THIS PLAT WAS FILED FOR RECORD AT THIS DAY OF A.D., 199 AND DULY RECORDED IN PLAT BOOK ON PAGES AND DOROTHY H. WILKEN, CLERK BY: DC

SHEET 2 OF 2 SHEETS

THIS INSTRUMENT WAS PREPARED BY:  
**LONDON M. CROSS OF**  
**CARNAHAN-PROCTOR AND ASSOCIATES, INC.**  
**CONSULTING ENGINEERS**  
 SURVEYORS ENGINEERS PLANNERS  
 6191 WEST ATLANTIC BLVD., MARGATE, FLORIDA 33063  
 OCTOBER 1993 8706060 JSH



*PET. 77-13  
ALOC. #0001  
5/3/3/M*

**LEGEND:**

- P.O.C. --- DENOTES POINT OF COMMENCEMENT
- P.O.B. --- DENOTES POINT OF BEGINNING
- O.R.B. --- DENOTES OFFICIAL RECORD BOOK
- P.B.C.R. --- DENOTES PALM BEACH COUNTY RECORDS
- P.B. --- DENOTES PLAT BOOK
- P.U.D. --- DENOTES PLANNED UNIT DEVELOPMENT
- D.E. --- DENOTES DRAINAGE EASEMENT
- U.E. --- DENOTES UTILITY EASEMENT
- CL --- DENOTES CENTER LINE
- ⊙ --- DENOTES FOUND PERMANENT REFERENCE MONUMENT P.L.S. NO. 3348
- --- DENOTES FOUND PERMANENT CONTROL POINT (P.C.P) P.L.S. NO. 3348
- --- DENOTES LOT SQUARE FOOTAGE
- L.E. --- DENOTES LANDSCAPE EASEMENT
- L.M.E. --- DENOTES LAKE MAINTENANCE EASEMENT
- L.A.E. --- DENOTES LIMITED ACCESS EASEMENT

NORTHWEST CORNER SECTION 12-47-41  
 NORTH LINE SEC. 12-47-41  
 N.89°45'04"E. 1839.62'

SUBDIVISION Boca Isles West Ph. 1B  
 BOOK 73  
 FLOOD ZONE B FLOOD MAP 1500B  
 QUAD 68 ZONING K15  
 SE 94-357 ZIP CODE 33434  
 PUB. NAME Boca Greens  
 TAZ-881

DETAIL SCALE: 1" = 10'

CAIN BOULEVARD  
 (O.R.B. 6370, PGS. 1418 THRU 1434, P.B.C.R.)

0208-018  
 Boca Isles West Phase 1B Replat 73/73